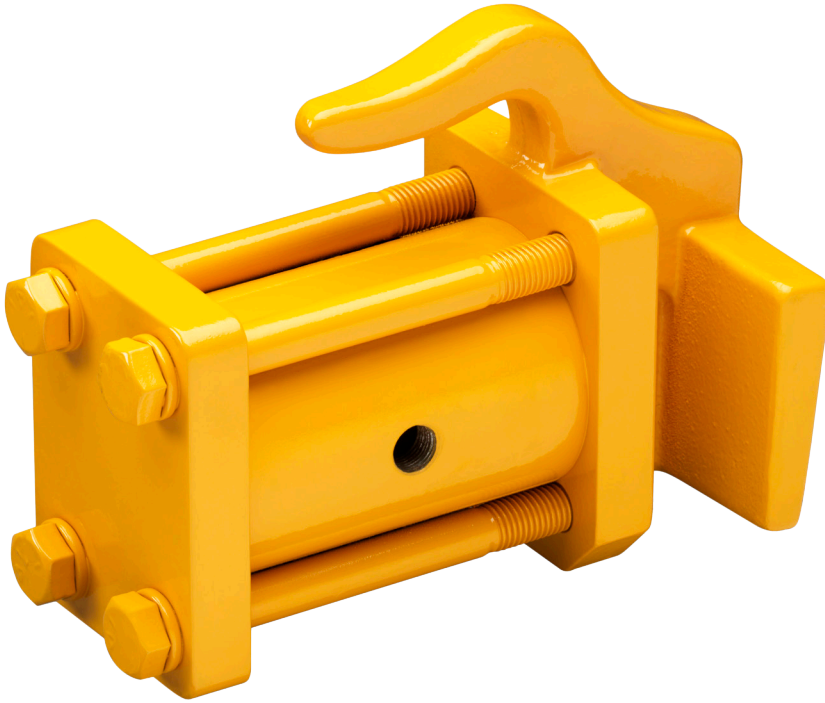


## Cougar® 4400 Railcar Series



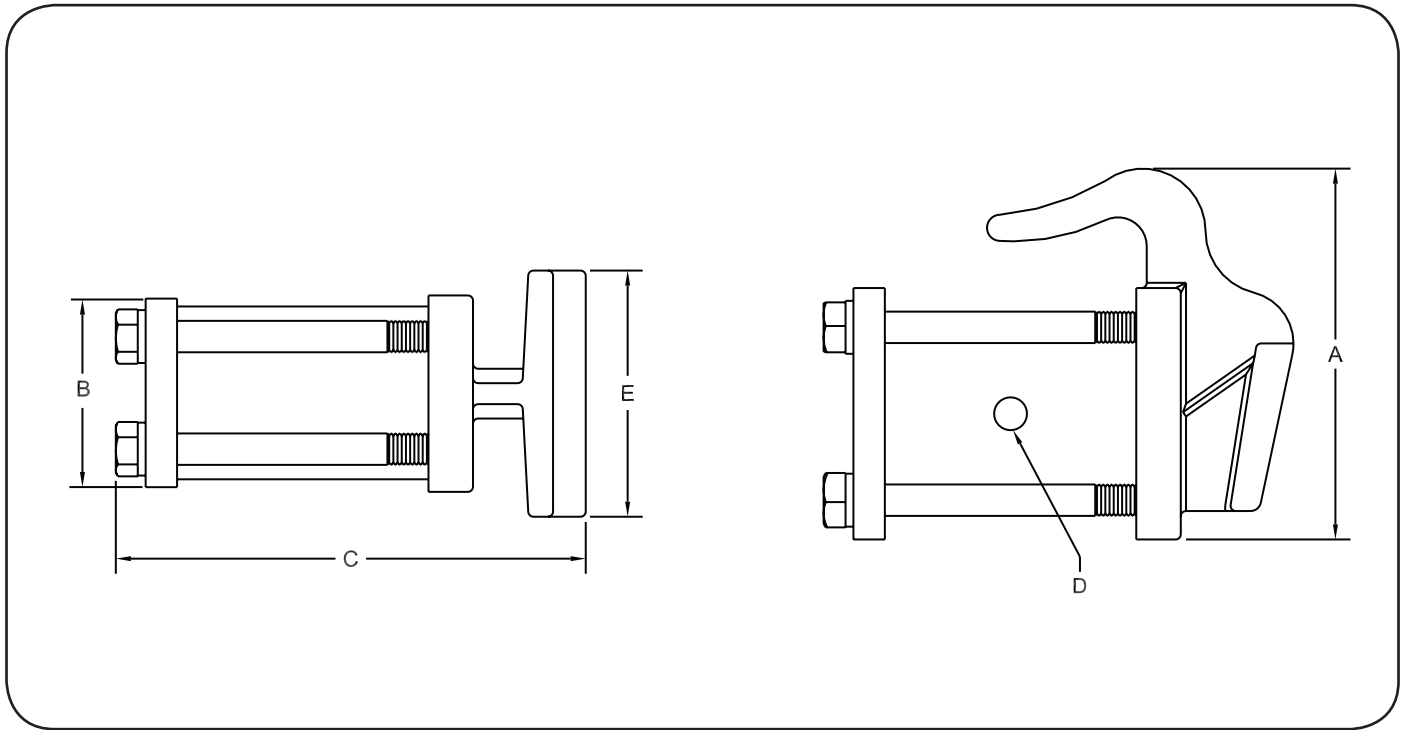
### FEATURES

- Hardened pistons
- Low air consumption
- Produces uniform directional force

### Specify Cougar for:

- Cost effective solutions
- Expert technical assistance
- Complete service and support

# TECHNICAL DATA SHEET



## DIMENSIONS (inch)

Model	Piston Size In.	A	B	C	Port NPT	E	Weight lbs
					D		
4432	4	8.875	5.5	14.375	½	5.875	69.250

## PERFORMANCE DATA

Model	Piston Size In.	40 PSI		60 PSI		MAX 80 PSI	
		VPM	CFM	VPM	CFM	VPM	CFM
4432	4	1200	19.1	1700	31.8	1900	40.3